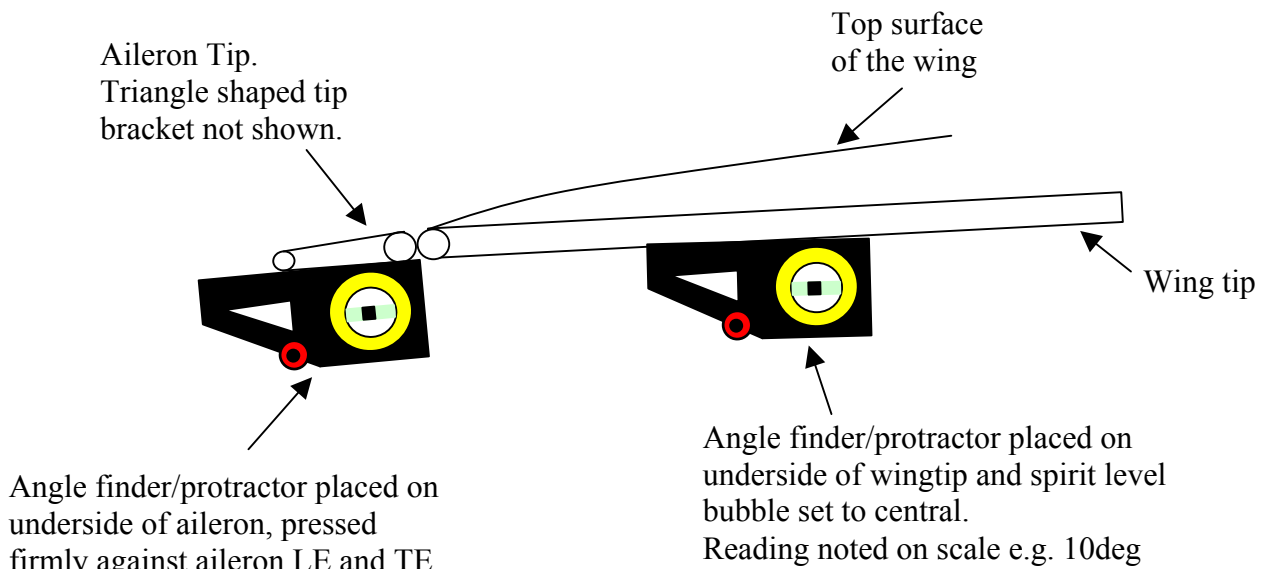


# Setting of Xair Falcon Ailerons and Flaps



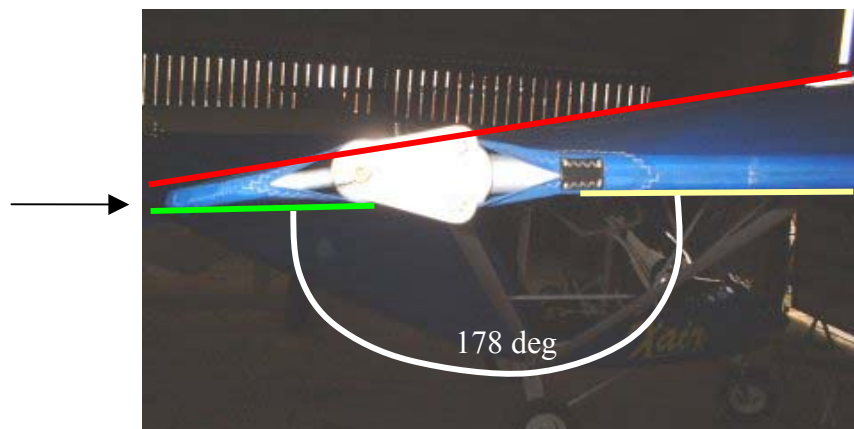
Type of angle gauge used →



Aileron/Wing tip picture on right is dark but shows top surface of the aileron approx follows the top surface of the wing. – Red line

The lower surface of the wing tip is shown by the – Yellow Line.

Lower surface of the Aileron is shown by the – Green Line.



**NOTE:** Flaps are adjusted to match the ailerons at the inboard end.