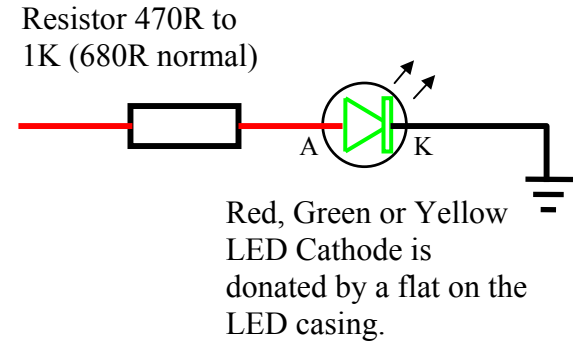


***Comms Battery
Wiring with
Charge facility
from main
Aircraft Battery***



- Notes**
- Charge switch must be a double pole type, to allow for correct working of 'Charge ON' indicator.
 - Light Emitting Diodes (LED's) may be substituted for panel lights and are preferred. Details of how to fit are shown above. Resistor Values not critical but not below 470R. 680R gives nice light level.
 - A **flashing** Red LED is preferred for 'Charge ON' indication, so as to attract attention.
 - Fuse for Comms circuit should be low as possible to provide best protection of equipment. Try 1A first then 2A if it blows, with normal use.